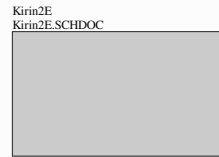


Client Information
Finger Lakes Engineering 119 S. Cayuga St. Suite 200 Ithaca, NY 14850 607-277-1614



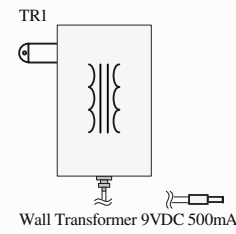
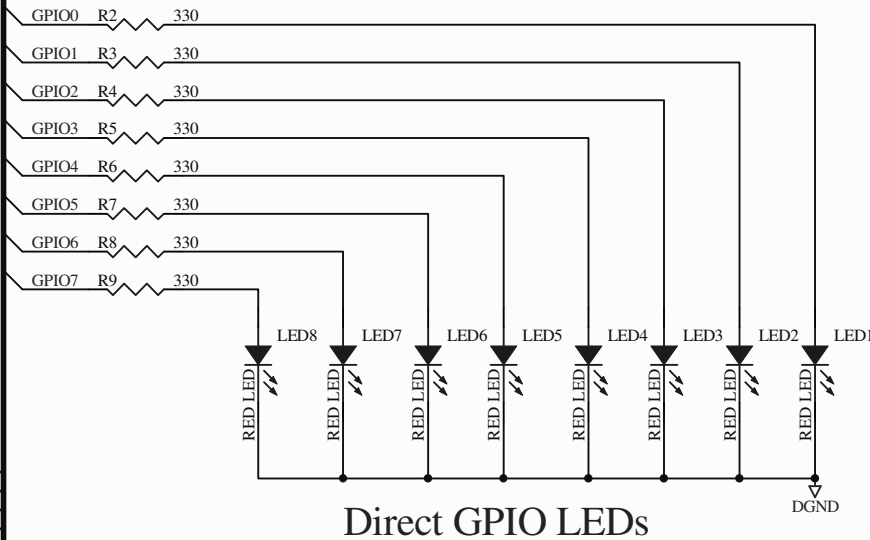
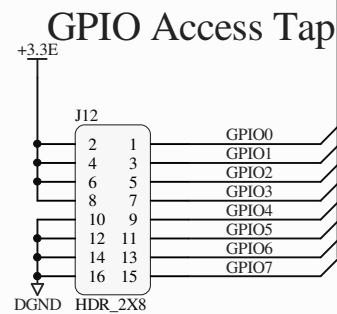
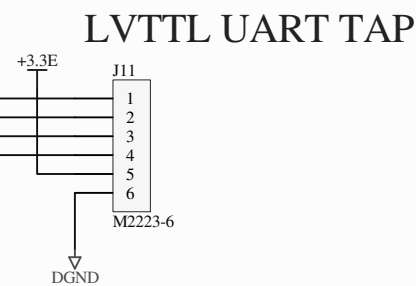
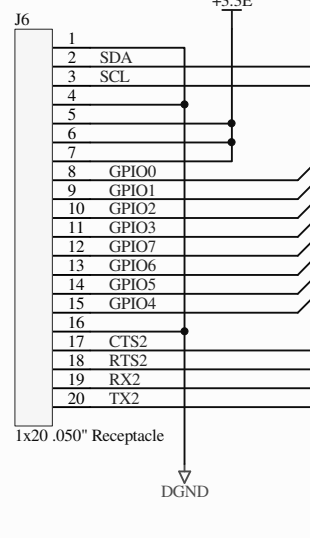
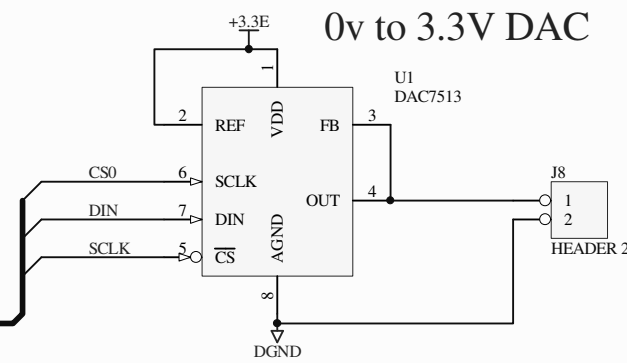
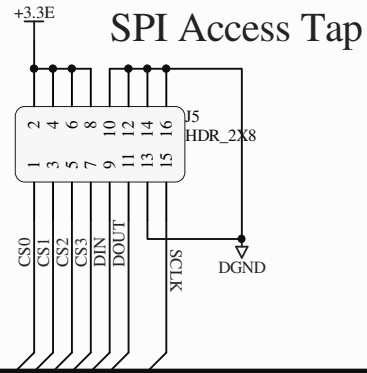
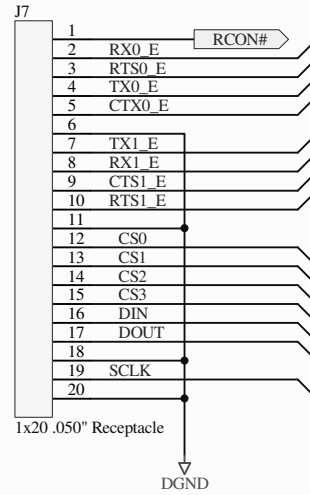
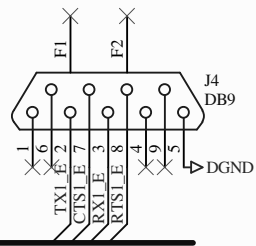
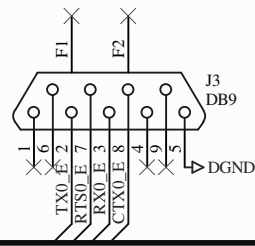
Project Information	
Project Title:	Mustang
Start Date:	02/01/06
Schematic #	99-020106
Notes:	REVISION INFORMATION ===== Rev. 0.1 - Release for Internal Review Rev. 0.2 - Completed Switching Regulator circuitry Rev. 1.0 - Release for Fab

<i>Confidential Property of Finger Lakes Engineering</i>		<b>DO NOT DISTRIBUTE</b>		Title	Title Block	Date 7/5/2006	C-Size
<small>This document, parts, manufacturer data, firmware, and any other such components are considered Confidential Property of Finger Lakes Engineering. This document must not be distributed unless written approval has been granted.</small> <small>Finger Lakes Engineering provides no warranty, either explicit or implied, on the contents, parts, or functionality detailed in this document.</small> <small>All formal qualification of any design solutions are verified and approved by the Client.</small>				SCH#	#99-020106	Sheet 01 of 02	
				Rev	1.0		

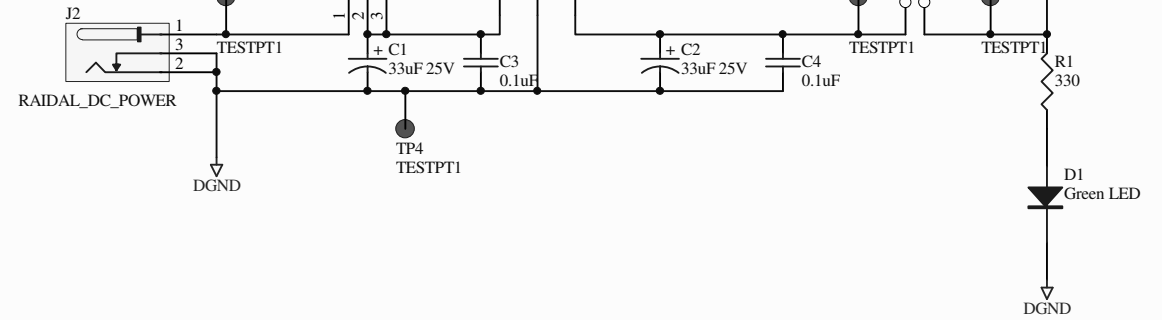
R/A Female DB9

R/A Female DB9

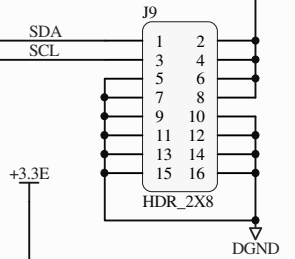
Mustang Interface



6V to 9V DC



I2C Access Tap



I2C I/O Expander

